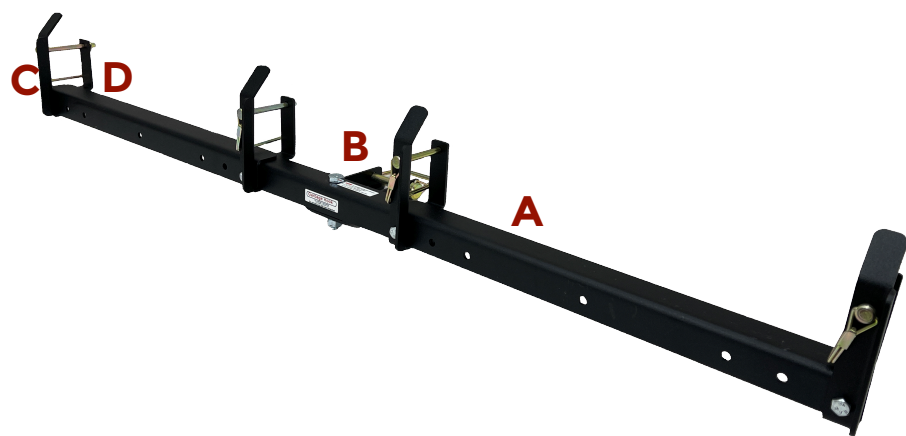


DB-MT Installation Instructions v.4.1

Tools needed: 2) 7/16" Either sockets or open end wrenches, and 2) 9/16" Either sockets or open end wrenches



MAIN COMPONENTS

- A** 3) pc Support Arm
1) 12" center 2) 16" ends
- B** Ball mounting base
- C** 4) Mountain Hooks
- D** 4) Retainer Brackets

FASTENERS

- 8) 1/4" x 3/4" bolts, nuts and lock washers
- 1) 3/8" x 2" bolt, nut, washer and lock washer
- 4) 2" PTO clips

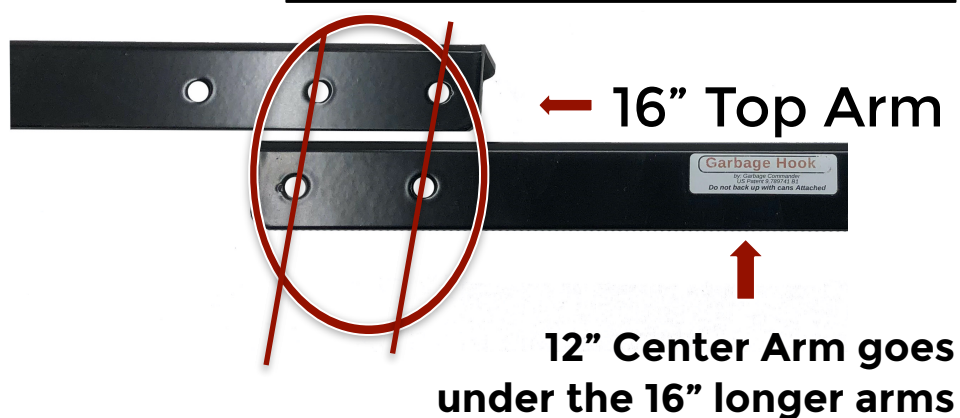
Scan for
DB-MT Installation
Video >



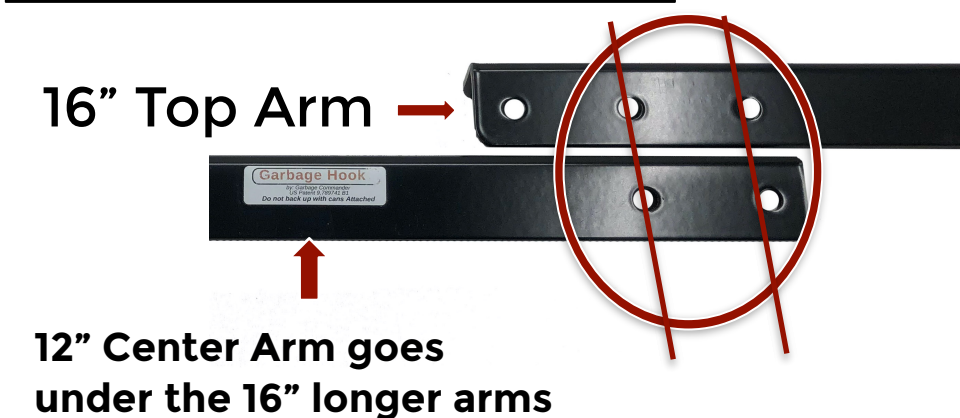
Step 1- Bolt the three overlapping arms (C) with 4) 1/4" x 3/4" bolts, lock washers and nuts

** Arms can be set for two lengths - either 36" (A) or 40" long (B) **

Option B 40" arm use this hole pattern



36" arm use this hole pattern **Option A**



Hooks can mount to any hole, but arms must have two bolt each side

The support arm's angle will bend downward and toward the front. The outer 16" support arms will overlap the top of the 12" center arm. Screws that are used for the support arm, can also have the Mountain Hook assembled to them, if the hole patterns workout using that space. We have shipped 12 nuts and bolts you might only need 10 sets.

NOTE: If 16" support arms are installed under the bottom of the 12" arm, holes will not line up.

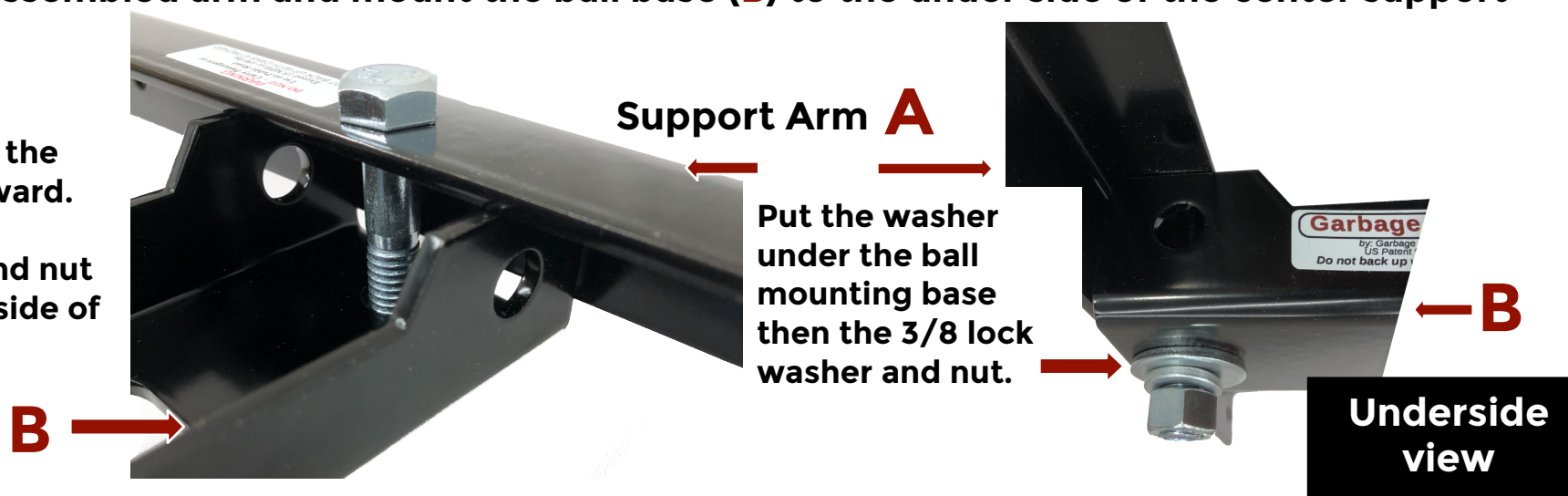
Tip: Before final assembly of the arm (in step two), take the arm with only two screws attached and lay it on top of your trash cans near the handles. First place the cans side by side with about 1" of space between them. Now it will be easier to select the best hole pattern to use for mounting the hooks. You might need to reset the arm size to get the best hook placement. Now go to step three and finish adding the hooks to the arm. Make sure arms have two bolts on each side securing the arms together.

Note: the arm length will not be the same length as the overall trash cans.



Step 2- Take the assembled arm and mount the ball base (B) to the under side of the center support arm

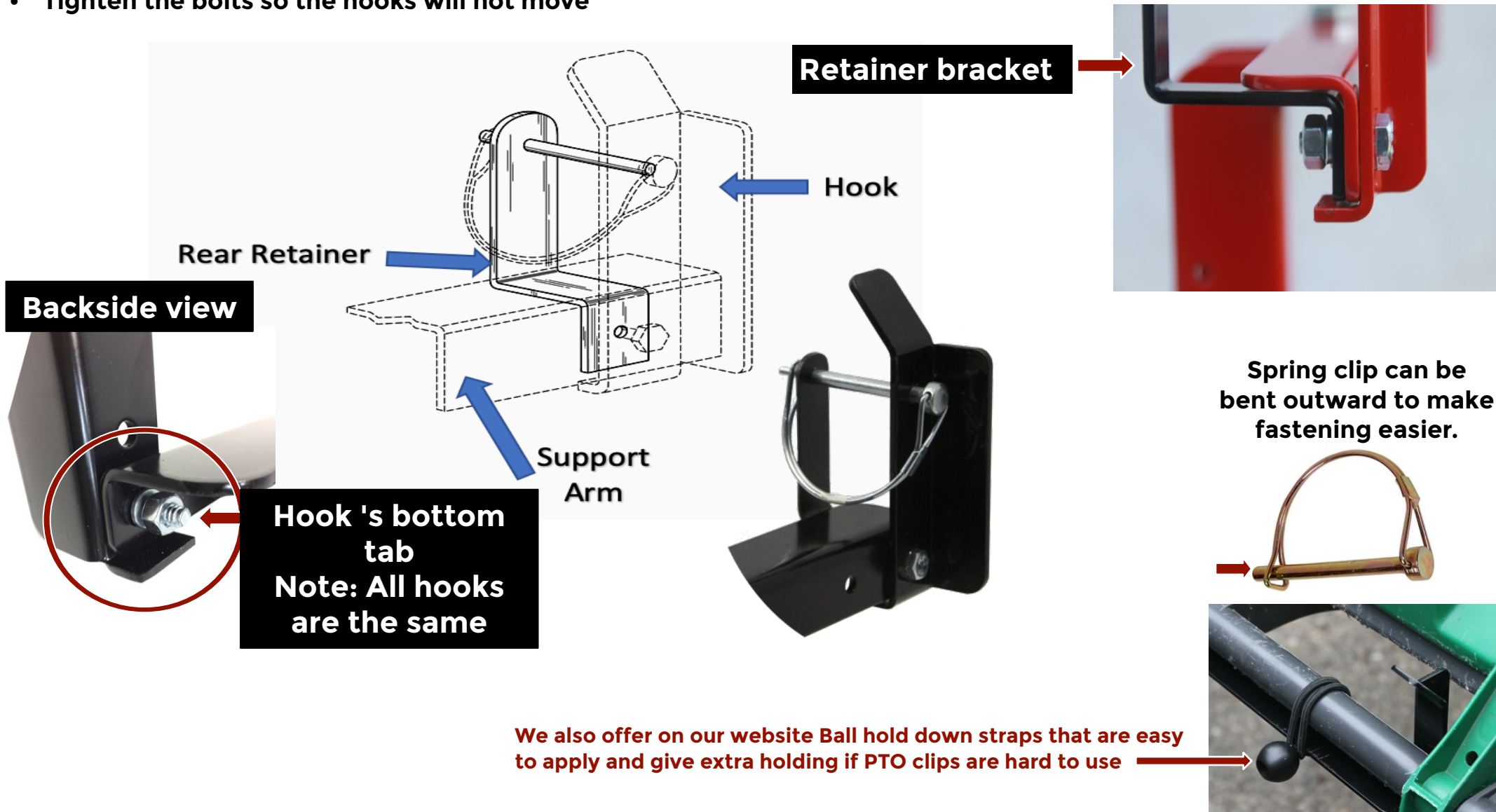
Ball mounting base (B) the flange will be bent upward. Use the 3/8" x 2" bolt, washer, lock washer and nut to secure to the underside of the support arm (A)



Step 3- Mount the four mountain hooks and four retainer brackets to the support arm

You can use the inner bolt hole that are also for fastening the two arms together along with any of the other holes at each end of the support arm. The outer holes are spaced at 1 1/2" increments to fit most of today's wheeled totes.

- Mount the four mountain hooks using the 1/4" x 3/4" bolts, lock washer and nuts
- Mountain hooks mount on the face of the support arm, the lower tab will wrap under the bottom edge of the support arm
- The rear retainer bracket installs behind and under the support arm
- NOTE: Push the retainer bracket tight to the underside so it will stay straight and in line with the hook
- Tighten the bolts so the hooks will not move



Step 4- When ready to use slip the ball mounting base under your trailer ball



To mount your Garbage Hook to your receiver hitch simply insert the 3/8" retainer pin thru the ball mounting base and under your 1-7/8" or 2" ball. 2" Ball works best

We suggest height between 14"- 21" allowing for approximately 30% of the cans weight to be resting on the support arm

Warnings:

- Keep all nuts tightened
 - Do Not exceed 15 MPH, or 75 lbs. per can
 - Do Not carry passengers
 - Do Not use on public roads
- Turn off vehicle and put in park before attaching your Garbage Hook.

****Garbage Hooks are designed for towing, DO NOT backup with cans attached. Damage may accrue****

Thank you for your order, as a small company we truly appreciate your business!

If you have any questions or concerns with your order, text us at 608-607-2788
Send an email to info@garbagecommander.com

Before leaving a negative review, contact us, we promise to make things right with you.
Help us grow by spreading the word and taking the time to leave a positive review.



Garbage Commander by:
LaMalco LLC - 2709 N. Burdick Rd. Janesville, WI. 53548
Garbage Hooks are patented and made in the USA.
Patent US 9,566,837 B1 & D888,644S