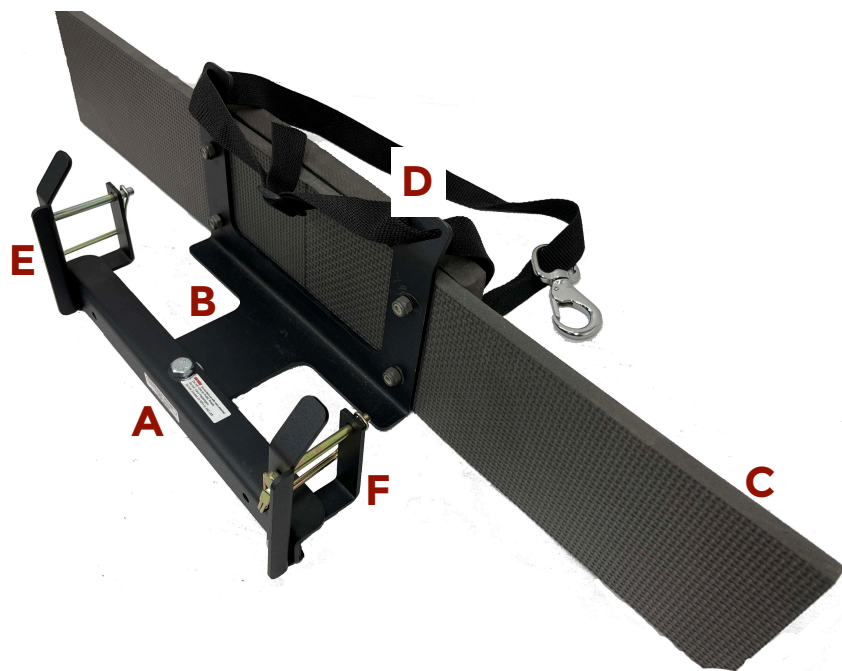


# BUMPER HOOK MT Installation Instructions v.4.1

Tools needed: 2) 7/16" and 2) 9/16" either sockets or open end wrenches



## MAIN COMPONENTS

- A 12" Support Arm
- B Main support base and arm
- C Front Pad
- D Rear pad
- E 2) Mountain Hooks
- F 2) Retainer Brackets

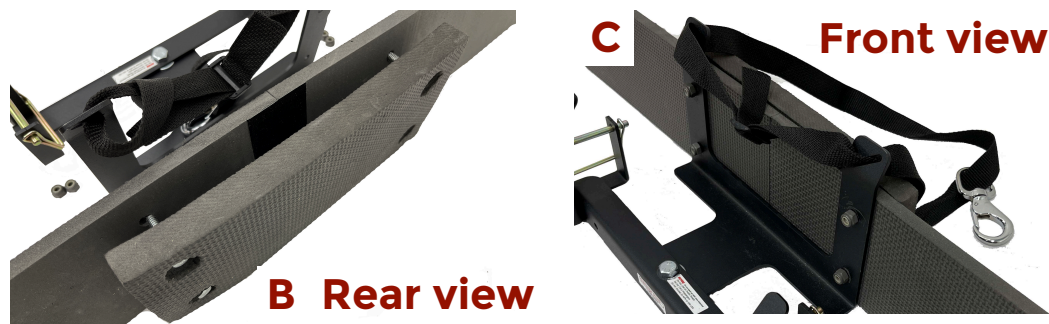
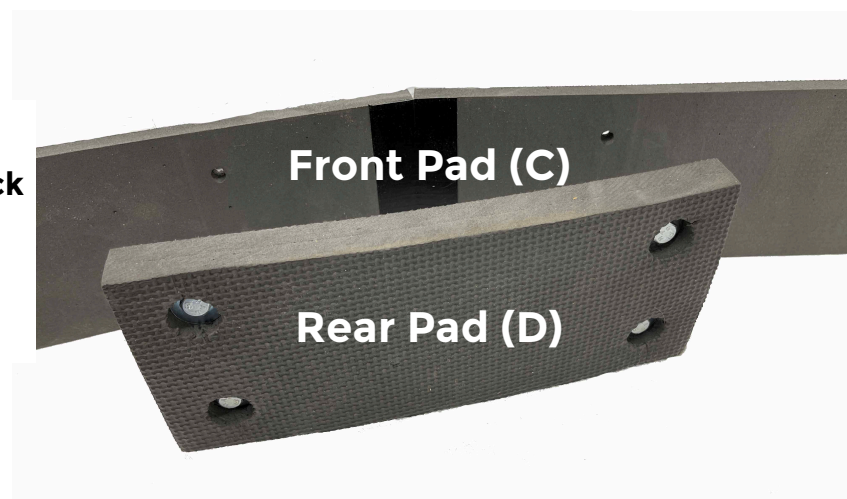
## Fasteners

- 1) Strap with swivel hook, strap clip and 2) Zip ties
- 4) 1/4"x1-1/4" bolts, washer and lock nuts
- 2) 1/4" x 3/4" bolts, nuts and lock washers
- 2) 2" PTO clips

Scan for  
BH-MT Installation  
Video >



**Step 1- Bolt the rear pad and front pad to the main support Base and arm from the rear of base. (B) Using the 4) 1-1/4" bolt washer and lock nut sets. Make sure the bolt head and washer are recessed into the pad. Snug nut to sink bolt and washer into the pad. (B) Rear view (C) Front view - Nut will be on the face side of support base**



**Step 2- Mount the mountain hooks and retainer brackets to each side of the 12" support arm**

There are two hook settings the outer holes are 12" and the inside hole will be 9"

Mount the two mountain hooks using the 1/4" x 3/4" bolt, lock washers and nuts

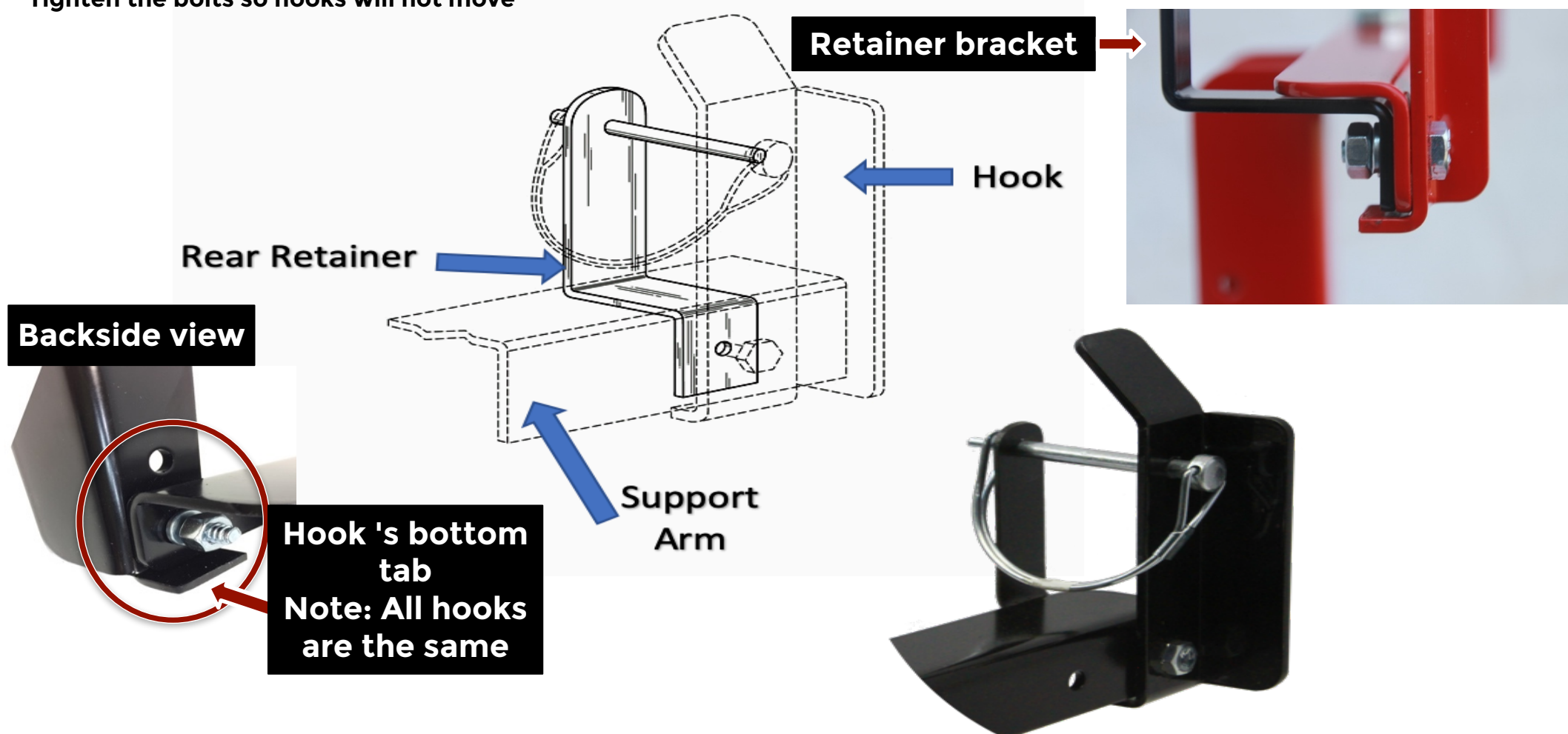
\* Mountain hooks will mount to the face of the support arm, the lower tab that will wrap under the bottom edge of the support arm

\* The rear retainer bracket installed behind and under the the support arm

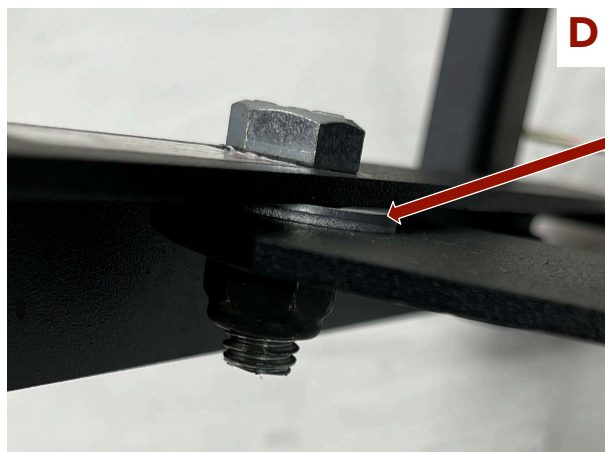
\* The rear retainer brackets can be installed in any spot as long as there is one per can

**Note:** Push the retainer bracket tight to the under side so it will stay straight and inline with the hook

\* Tighten the bolts so hooks will not move



**Step 3-** Assemble the 12" arm on top of the support arm with the 3/8" x 1" bolt and lock nut. Make sure the 3/8" washer is between the two metal pc's (D) Do not over tighten allow the 12" arm to still swivel.



**3/8 Washer**  
Between the support tab and the 12" support arm



**Step 4-** Once the Bumper Hook is assembled the last step is to adjust the strap to fit your tow vehicle. Hook the swivel clasp to your trunk's lid latch. (E)

Center the pad to the vehicle's bumper by adjusting the ends of the straps. Pull down to take up slack making sure that the clasp is holding and not slipping.

Once centered you can cut the extra strapping leaving about 4" extra, fold the two ends of the remaining strap into the other strap and using the zip tie secure the straps together. (F, G, H)



**1" strap and swivel clasp**



The Bumper Hook should now hang from the vehicles trunk latch and be centered. Tip the garbage cans handle over the retainer hooks and secure the cans handle by using the PTO clip to insure handle will not slip off during transportation (I).



**\*\*Spring clip can be bent outward to make fastening easier.\*\***

**Warnings:**

- Keep all nuts tightened
- Do Not exceed 15 MPH, or 75 lbs.
- Do Not carry passengers
- Do Not use on public roads

Turn off vehicle and put in park before attaching your Garbage Hook.  
**\*\*Garbage Hooks are designed for towing, DO NOT backup with cans attached. Damage may accrue\*\***

**We suggest height between 14"- 21" allowing for approximately 30% of the cans weight to be resting on the support arm**

**Thank you for your order, as a small company we truly appreciate your business!**

**If you have any questions or concerns with your order, call or text us at 608-607-2788  
 Send an email to [info@garbagecommander.com](mailto:info@garbagecommander.com)**

**Before leaving a negative review, contact us, we promise to make things right with you.  
 \*Help us grow by spreading the word and taking the time to leave a positive review.\***



**Garbage Commander by:  
 LaMalco LLC - 2709 N. Burdick Rd. Janesville, WI. 53548  
 Garbage Hooks are patented and made in the USA.  
 Patent US 9,566,837 B1 & D888,644S**